

4

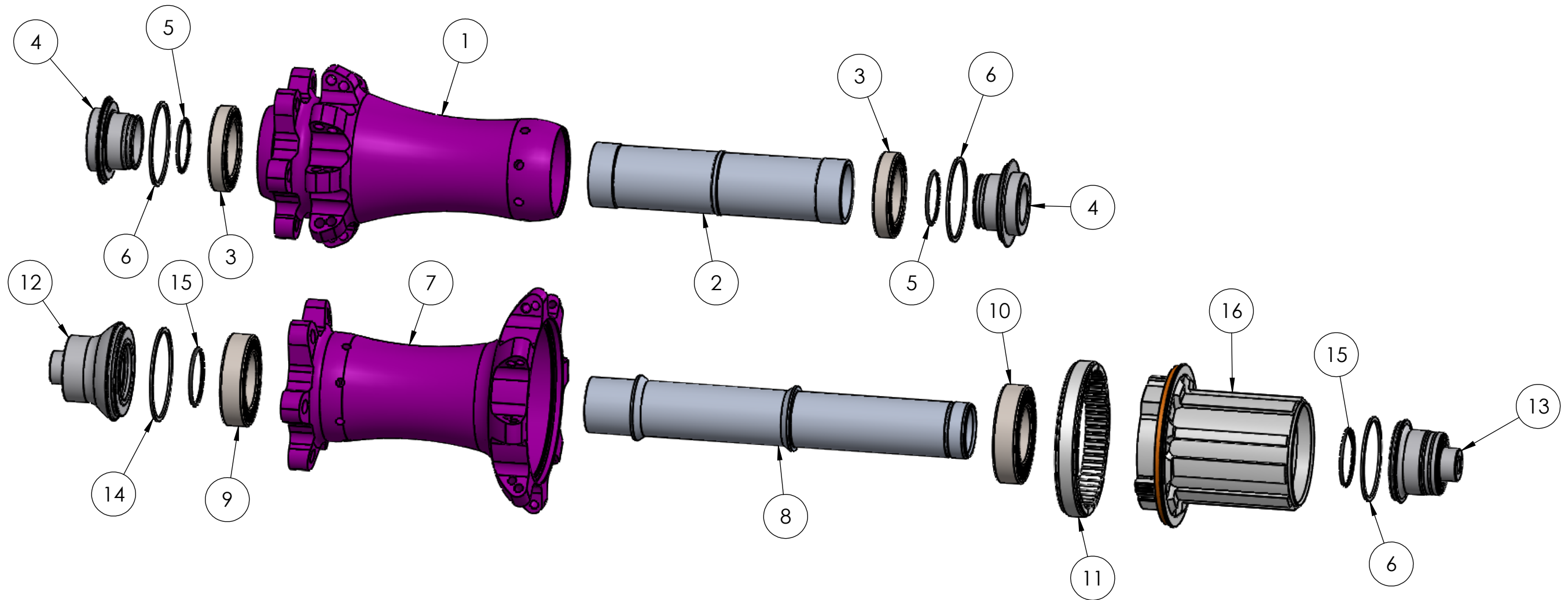
3

2

1

B

B



A

A

ITEM NO.	PART NUMBER	DESCRIPTION	QTY.
1	THU122	Torch Hub Shell System FR CX 6-bolt	1
2	TAX610	Torch Axle Road FR	1
3	BB61803	Ball Bearing 17 x 26 x 5	2
4	TAX653	Torch End Cap Road FR 12mm	2
5	TAXOR15	O-Ring 15 x 1	2
6	TAX640	Torch Teflon Seal - RR - DS	3
7	THU123	Torch Hub shell System RR 24H cross/6-bolt	1
8	TAX612	Torch Road / Cross rear Axle	1
9	BB17287	Ball Bearing 17 x 28 x 7	1
10	BB61903	Ball Bearing 17 x 30 x 7	1
11	TFH531	Torch Drive Ring	1
12	TAX662	Torch End Cap Road RR Disc QR NDS	1
13	TAX660	Torch End Cap End Cap DS QR	1
14	TAX642	Torch Teflon Seal RR DS	1
15	TAXOR17	O-Ring 17 X 1	2
16	TFHXXX	Torch Road Freehub - See Freehub BOM	1

Torch Road Hubset 6 Bolt

PROPRIETARY AND CONFIDENTIAL
 THE INFORMATION CONTAINED IN THIS DRAWING IS THE SOLE PROPERTY OF INDUSTRYNINE COMPONENTRY. ANY REPRODUCTION IN PART OR AS A WHOLE WITHOUT THE WRITTEN PERMISSION OF INDUSTRYNINE COMPONENTRY IS PROHIBITED.

		UNLESS OTHERWISE SPECIFIED:		NAME	DATE	
		DIMENSIONS ARE IN INCHES TOLERANCES: FRACTIONAL ± 1/32 ANGULAR: ± 0.5 deg TWO PLACE DECIMAL ±0.01 THREE PLACE DECIMAL ±0.005		DRAWN		
		INTERPRET GEOMETRIC TOLERANCING PER:		CHECKED		SIZE DWG. NO. REV
		MATERIAL		ENG APPR.		
NEXT ASSY	USED ON	FINISH		MFG APPR.		SCALE: 1:4 WEIGHT: SHEET 1 OF 1
APPLICATION		DO NOT SCALE DRAWING		Q.A.		
				COMMENTS:		

4

3

2

1