

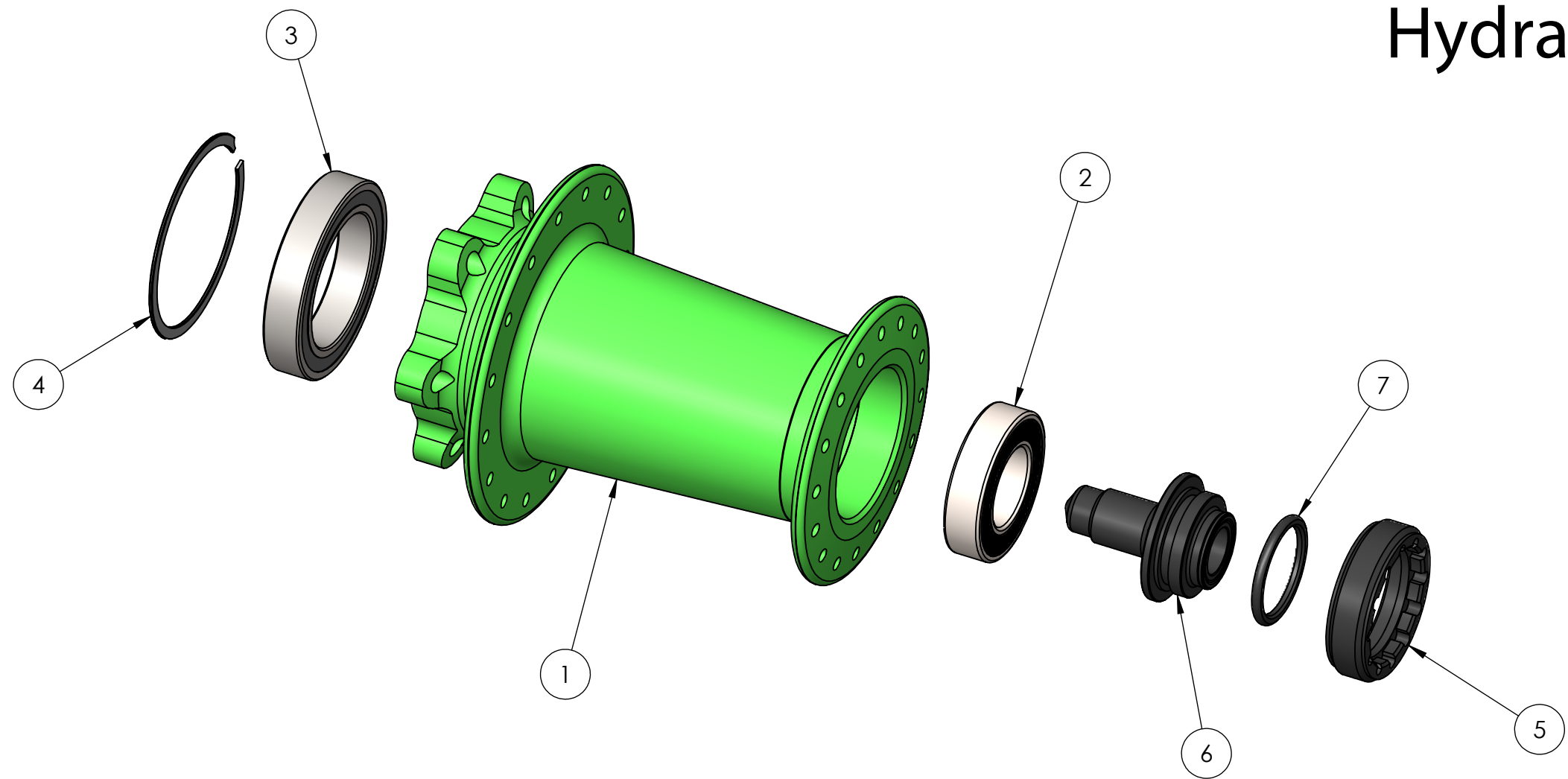
4

3

2

1

Hydra/Torch Lefty Max Front Hub



ITEM NO.	PART NUMBER	DESCRIPTION	QTY.
1	THU233	Torch Hub shell LeftyMax 32H	1
2	BB61902	Ball Bearing 17 x 30 x 7	1
3	BB61805	Ball Bearing 25 x 37 x 7	1
4	TAX617	BB61905 Retaining Ring	1
5	TAX615	Torch End Cap Lefty Max	1
6	TAX616	Torch Screw Lefty Max	1
7	MAXPO2X14	O-Ring 2 x 14	1

PROPRIETARY AND CONFIDENTIAL
 THE INFORMATION CONTAINED IN THIS DRAWING IS THE SOLE PROPERTY OF INDUSTRYNINE COMPONENTRY. ANY REPRODUCTION IN PART OR AS A WHOLE WITHOUT THE WRITTEN PERMISSION OF INDUSTRYNINE COMPONENTRY IS PROHIBITED.

UNLESS OTHERWISE SPECIFIED:		NAME	DATE
DIMENSIONS ARE IN INCHES		DRAWN	
TOLERANCES:		CHECKED	
FRACTIONAL ± 1/32		ENG APPR.	
ANGULAR: ± 0.5 deg		MFG APPR.	
TWO PLACE DECIMAL ±0.01		Q.A.	
THREE PLACE DECIMAL ±0.005		COMMENTS:	
INTERPRET GEOMETRIC TOLERANCING PER:			
MATERIAL			
FINISH			
NEXT ASSY	USED ON		
APPLICATION			
DO NOT SCALE DRAWING			

INDUSTRY NINE

TITLE:

SIZE DWG. NO. REV

B

SCALE: 1:4 WEIGHT: SHEET 1 OF 1

4

3

2

1

B

B

A

A