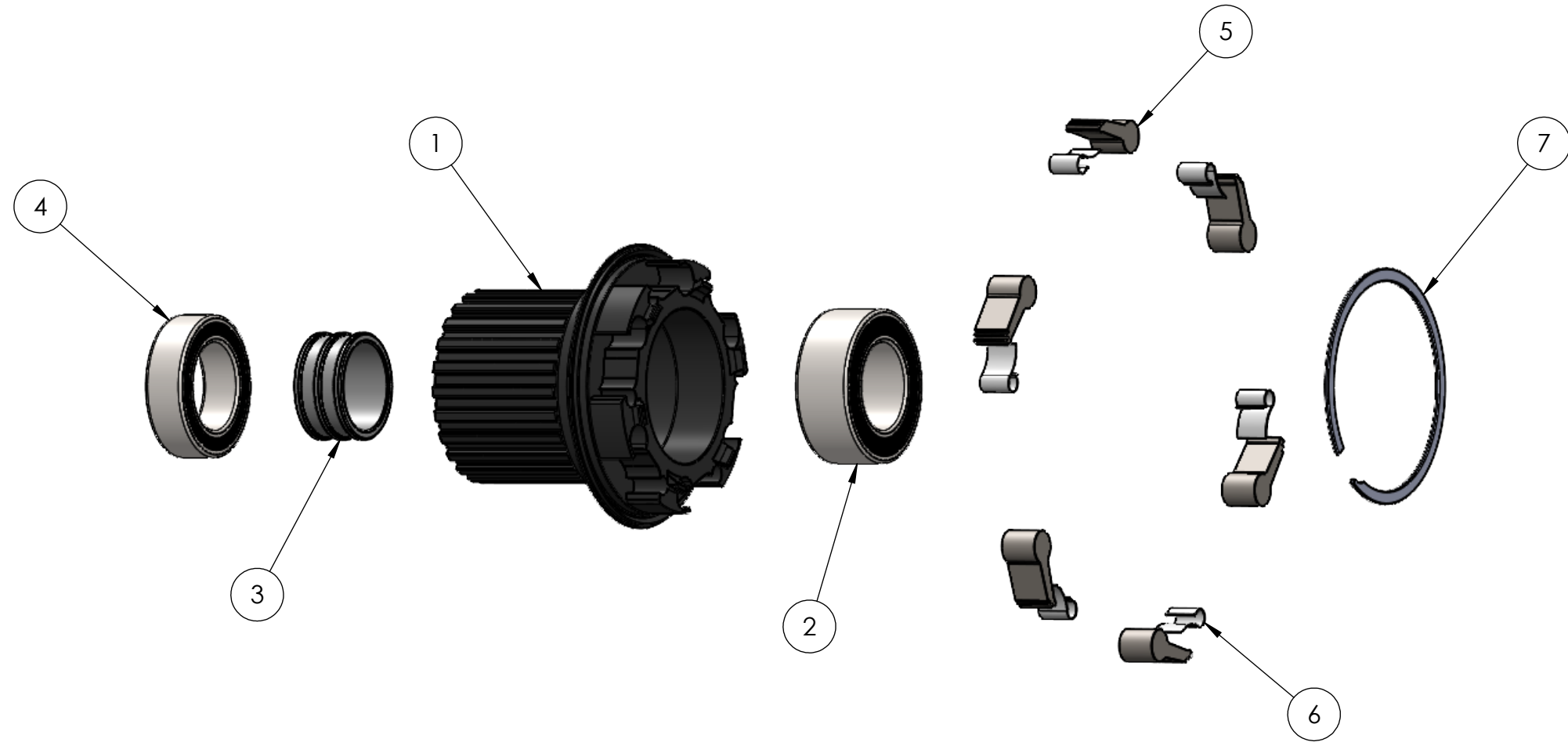


# MKMFH03 Hydra 2 Mountain Freehub MS



ITEM NO.	PART NUMBER	DESCRIPTION	QTY.
1	MFH4512	Hydra 2 Freehub MS	1
2	BB152610	Ball Bearing 15 x 26 x 10 DR	1
3	RFH3516	Solix MTN FHB Spacer	1
4	BB3802 (7)	Ball Bearing 15 x 26 x 7	1
5	MFH4532	Hydra 2 Pawl	6
6	HFH2533	Hydra - 1/1 - Solix Pawl Spring	6
7	OEFH1131	Smalley Retaining Ring	1

**PROPRIETARY AND CONFIDENTIAL**  
THE INFORMATION CONTAINED IN THIS DRAWING IS THE SOLE PROPERTY OF INDUSTRY NINE COMPONENTRY. ANY REPRODUCTION IN PART OR AS A WHOLE WITHOUT THE WRITTEN PERMISSION OF INDUSTRY NINE COMPONENTRY IS PROHIBITED.

		UNLESS OTHERWISE SPECIFIED:		NAME	DATE		
		DIMENSIONS ARE IN INCHES TOLERANCES: FRACTIONAL: ± 1/32 ANGULAR: ± 0.5 deg TWO PLACE DECIMAL ±0.01 THREE PLACE DECIMAL ±0.005		DRAWN			
		INTERPRET GEOMETRIC TOLERANCING PER:		CHECKED		SIZE DWG. NO. REV <b>B</b>	
		MATERIAL		ENG APPR.			
		FINISH		MFG APPR.			
NEXT ASSY	USED ON			Q.A.			
APPLICATION		DO NOT SCALE DRAWING		COMMENTS:			