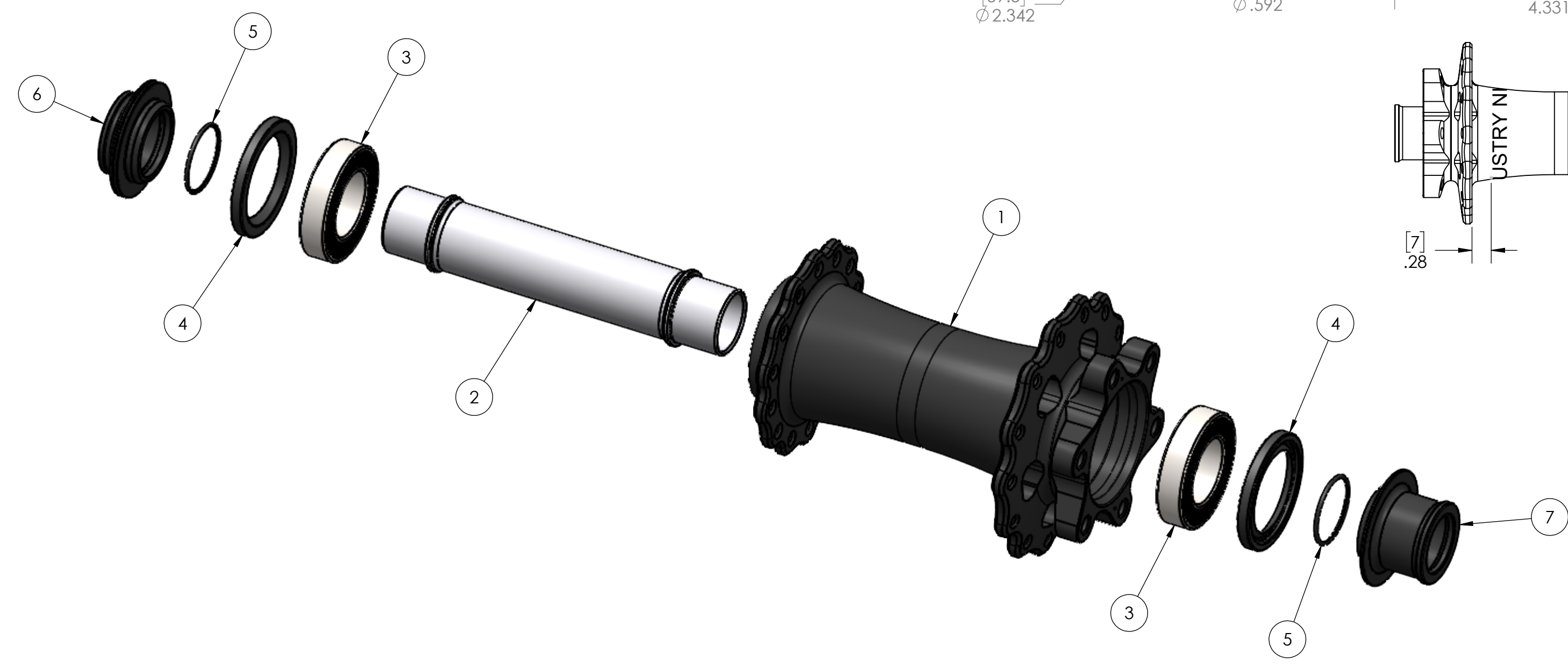
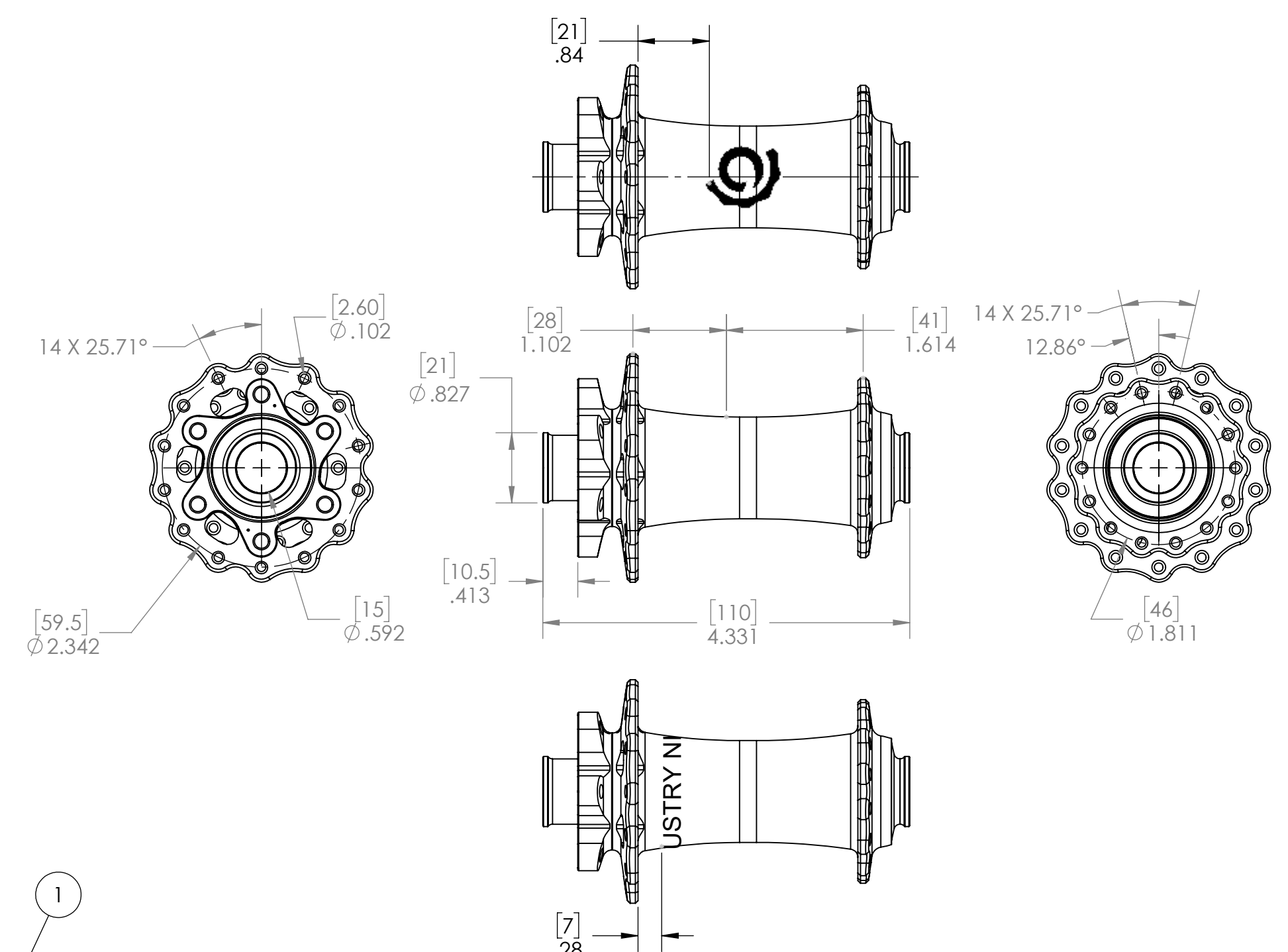
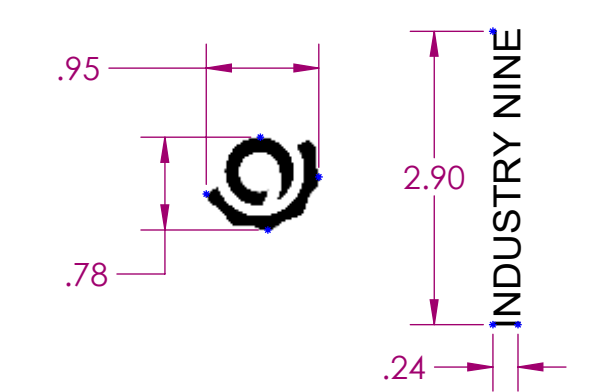


H3MBBXEXX- Hydra 2 Mountain Front Hub 28h 15x110 6 Bolt

REVISIONS			
ZONE	REV.	DESCRIPTION	DATE



Logo Finish:
White Laser Etched



ITEM NO.	PART NUMBER	DESCRIPTION	QTY.
1	MHU4214_4215	Hydra 2 MTN Hub FR Classic ISO	1
2	RAX3688	Solix M Axle FR	1
3	BB61903	Ball Bearing 17 x 30 x 7	2
4	OEAX1641	30mm Radial Lip End Cap Seal	2
5	TAXOR17	O-Ring 17 X 1	2
6	MAX4682	Hydra 2 MTN End Cap FR DS 15mm	1
7	RAX3683	Solix End Cap FR CL NDS 15mm	1

PROPRIETARY AND CONFIDENTIAL
THE INFORMATION CONTAINED IN THIS DRAWING IS THE SOLE PROPERTY OF INDUSTRY NINE COMPONENTRY. ANY REPRODUCTION IN PART OR AS A WHOLE WITHOUT THE WRITTEN PERMISSION OF INDUSTRY NINE COMPONENTRY IS PROHIBITED.

UNLESS OTHERWISE SPECIFIED:	NAME	DATE
DIMENSIONS ARE IN INCHES	DRAWN	
TOLERANCES:	CHECKED	
FRACTIONAL \pm	ENG APPR.	
ANGULAR: MACH \pm BEND \pm	MFG APPR.	
TWO PLACE DECIMAL \pm	Q.A.	
THREE PLACE DECIMAL \pm	COMMENTS:	
INTERPRET GEOMETRIC TOLERANCING PER:		
MATERIAL		
FINISH		
APPLICATION		
DO NOT SCALE DRAWING		

INDUSTRY NINE

TITLE:
Hydra 2 Mountain Front Hub 28h 15x110 6 Bolt

SIZE DWG. NO. REV
CH3MBBXEXX

SCALE: 1:2 WEIGHT: SHEET 1 OF 1