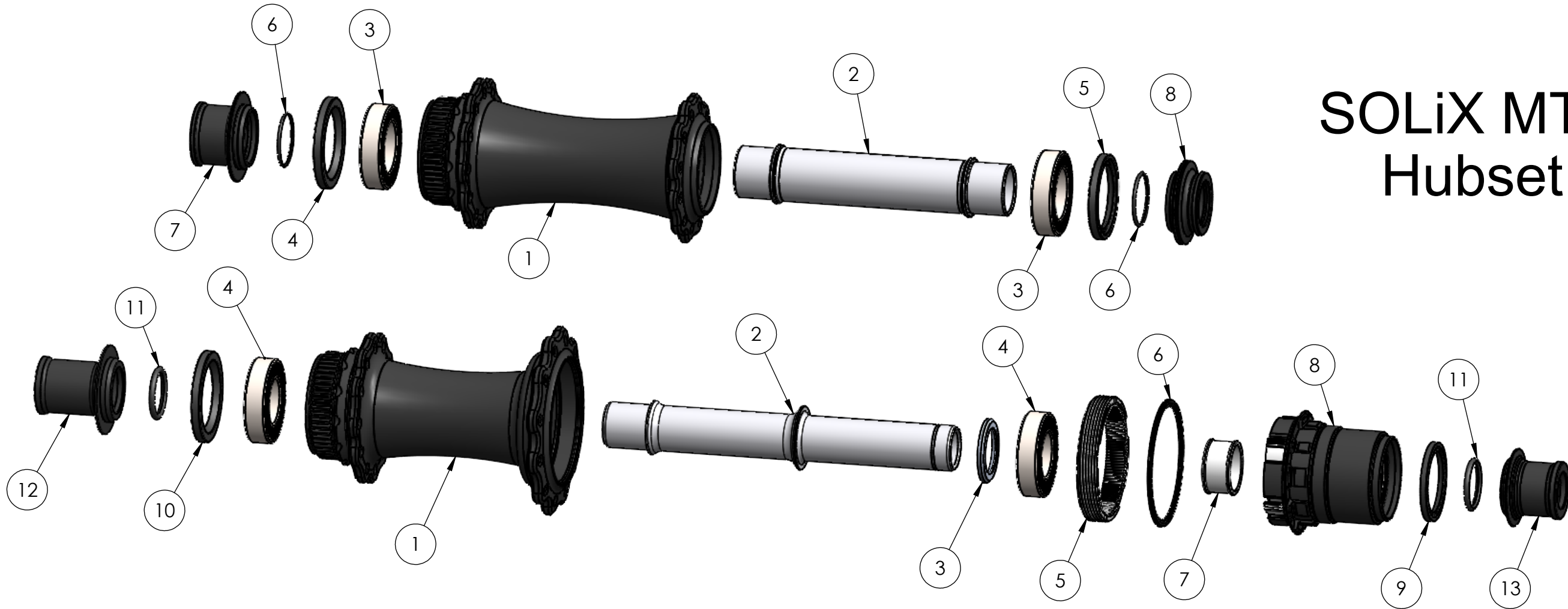


# SOLiX MTN Hubset



REAR HUB BOM

FRONT HUB BOM

FREEHUB SPEC

ITEM NO.	PART NUMBER	DESCRIPTION	QTY.
1	RHU3227	Hub MTN SL RR Classic CL	1
2	RAX3689	Solix MTN Rear Axle 148	1
3	HAX2699	15mm Stress Riser Washer	1
4	BB61902	Ball Bearing 15 x 28 x 7	2
5	RFH3531	SOLiX 121T Drive Ring	1
6	RFH3534	SOLiX Freehub Seal	1
7	RFH3535	SOLiX External Freehub Spacer	1
8	RFH35XX	Solix MTN Freehub - See Freehub Spec Table	1
9	OEAX1640	26mm Radial Lip End Cap Seal	1
10	OEAX1641	30mm Radial Lip End Cap Seal	1
11	HAXOR916	O-Ring 1/16 x 9/16	2
12	RAX3646	SL End Cap Rear NDS	1
13	RAX3637	SL-Hydra-1/1 12x142_148_157 End Cap Rear DS SL	1

ITEM NO.	PART NUMBER	DESCRIPTION	QTY.
1	RHU3226	Solix M Hub FR Classic CL	1
2	RAX3688	Solix M Axle FR	1
3	BB17287	Ball Bearing 17 x 28 x 7	2
4	OEAX1641	30mm Radial Lip End Cap Seal	1
5	OEAX1642	28/21mm End Cap Seal	1
6	TAXOR17	O-Ring 17 X 1	2
7	RAX3683	Solix End Cap FR CL NDS 15mm	1
8	RAX3682	Solix MTN End Cap FR DS 15mm	1

PART NUMBER	DESCRIPTION
RKMFH01	HG
RKMFH02	XD
RKMFH03	MS

**PROPRIETARY AND CONFIDENTIAL**  
 THE INFORMATION CONTAINED IN THIS DRAWING IS THE SOLE PROPERTY OF INDUSTRY NINE COMPONENTRY. ANY REPRODUCTION IN PART OR AS A WHOLE WITHOUT THE WRITTEN PERMISSION OF INDUSTRY NINE COMPONENTRY IS PROHIBITED.

UNLESS OTHERWISE SPECIFIED:		NAME	DATE		
DIMENSIONS ARE IN INCHES TOLERANCES: FRACTIONAL ± 1/32 ANGULAR: ± 0.5 deg TWO PLACE DECIMAL ±0.01 THREE PLACE DECIMAL ±0.005		DRAWN			TITLE:
INTERPRET GEOMETRIC TOLERANCING PER:		CHECKED			
MATERIAL		ENG APPR.			
FINISH		MFG APPR.			
NEXT ASSY	USED ON	Q.A.			
APPLICATION		COMMENTS:			
DO NOT SCALE DRAWING					

SIZE	DWG. NO.	REV
<b>B</b>		
SCALE: 1:1.5	WEIGHT:	SHEET 1 OF 1