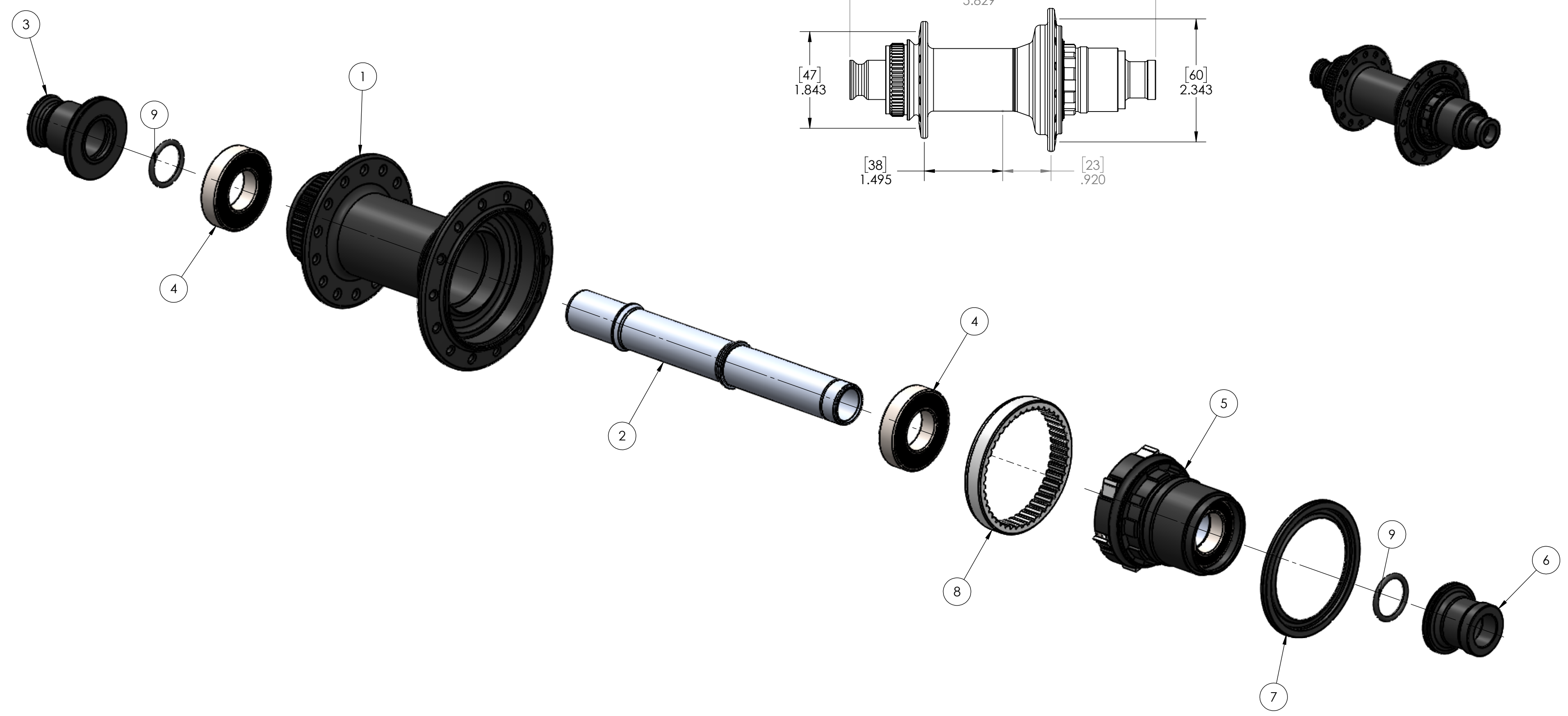
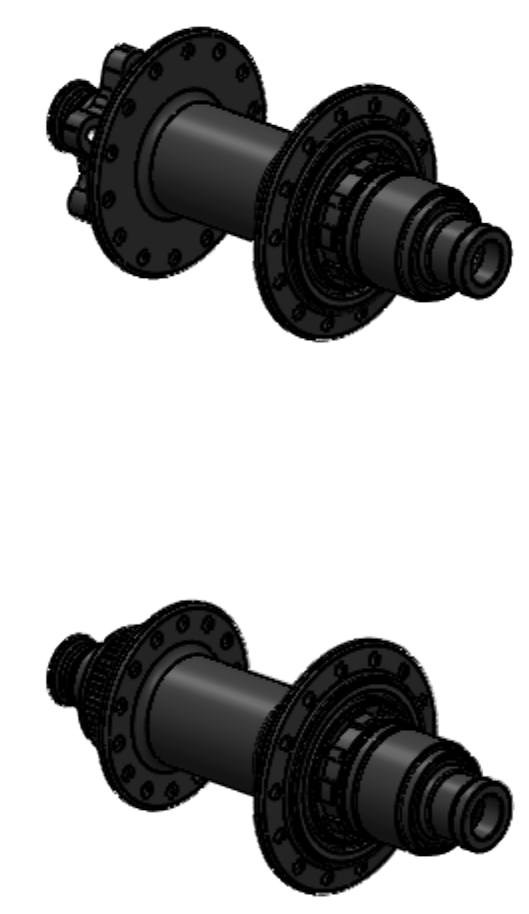
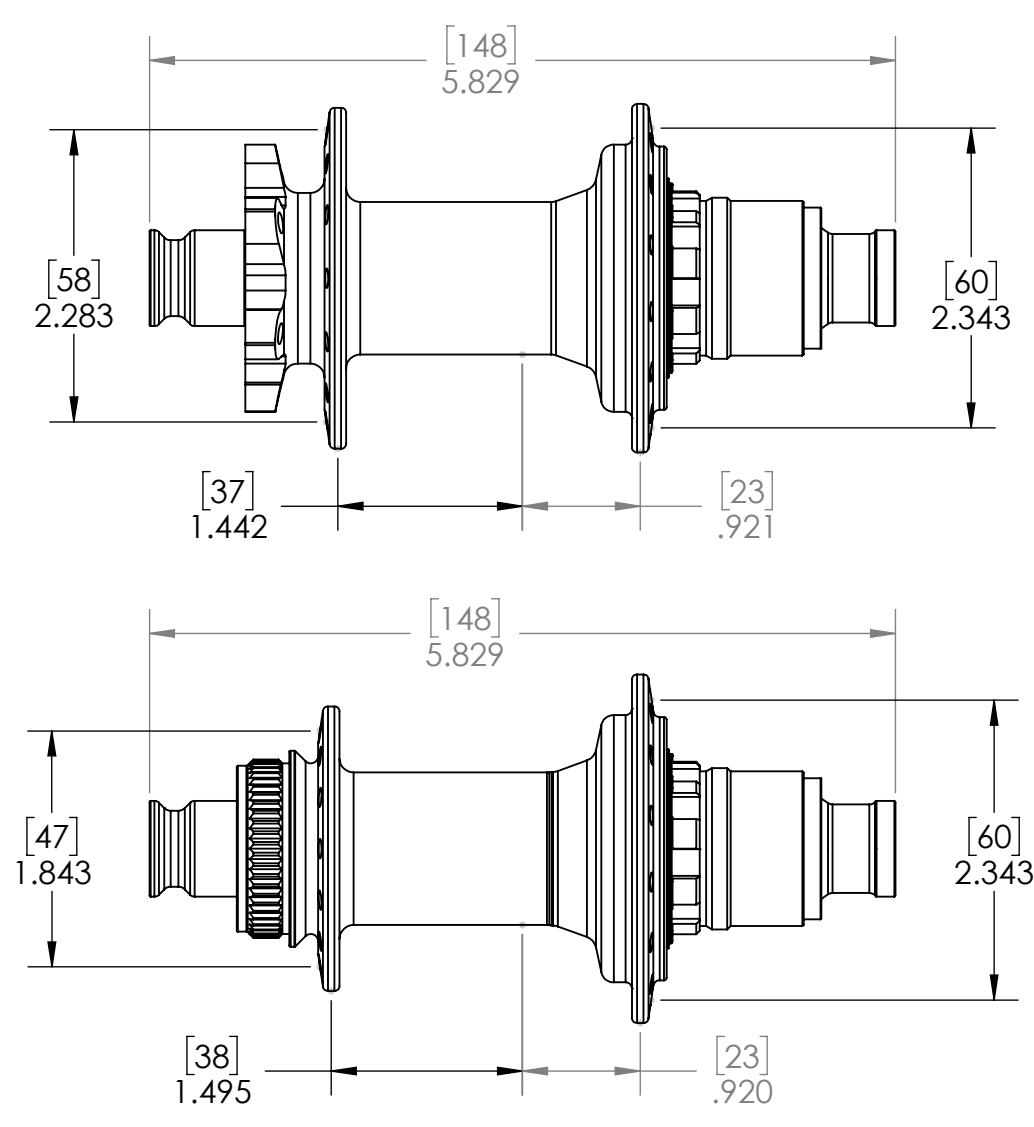


# 101 Mountain Rear Hub Boost Center Lock + 6 Bolt

REVISIONS			
ZONE	REV.	DESCRIPTION	DATE



ITEM NO.	PART NUMBER	DESCRIPTION	QTY.
1	OEHU12XX_12XX	101 Hubshell MTN RR 148 Boost - See Hub Spec Table	1
2	OEAX1605	101 Axle MNT RR Boost 148	1
3	OEAX1646	101 End Cap MTN RR Brake Side 12mm	1
4	BB15307A5	Ball Bearing 15 x 30 x 7	2
5	OEFH15XX	101 Freehub - See Freehub BOM	1
6	HAX2637	Hydra/101 12x142_148_157 End Cap Rear Drive Side	1
7	OEFH1534	101 Free Hub Seal	1
8	OEFH1531	101 45 Tooth Drive Ring	1
9	HAXOR916	1/16 x 9/16 O-Ring	2

Hub Spec	
P/N	Description
OEHU1213	148 ISO 32H
OEHU1216	148 ISO 32H
OEHU1225	148 CL 32H
OEHU1227	148 CL 28H

**PROPRIETARY AND CONFIDENTIAL**  
THE INFORMATION CONTAINED IN THIS DRAWING IS THE SOLE PROPERTY OF INDUSTRY NINE COMPONENTRY. ANY REPRODUCTION IN PART OR AS A WHOLE WITHOUT THE WRITTEN PERMISSION OF INDUSTRY NINE COMPONENTRY IS PROHIBITED.

UNLESS OTHERWISE SPECIFIED:	NAME	DATE
DIMENSIONS ARE IN INCHES	DRAWN	
TOLERANCES:	CHECKED	
FRACTIONAL ±	ENG APPR.	
ANGULAR: MATCH ± BEND ±	MFG APPR.	
TWO PLACE DECIMAL ±	Q.A.	
THREE PLACE DECIMAL ±	COMMENTS:	
INTERPRET GEOMETRIC TOLERANCING PER:		
MATERIAL		
FINISH		
APPLICATION		
DO NOT SCALE DRAWING		

**INDUSTRY NINE**

TITLE: \_\_\_\_\_

SIZE DWG. NO. \_\_\_\_\_ REV \_\_\_\_\_

SCALE: 1:8 WEIGHT: \_\_\_\_\_ SHEET 1 OF 1