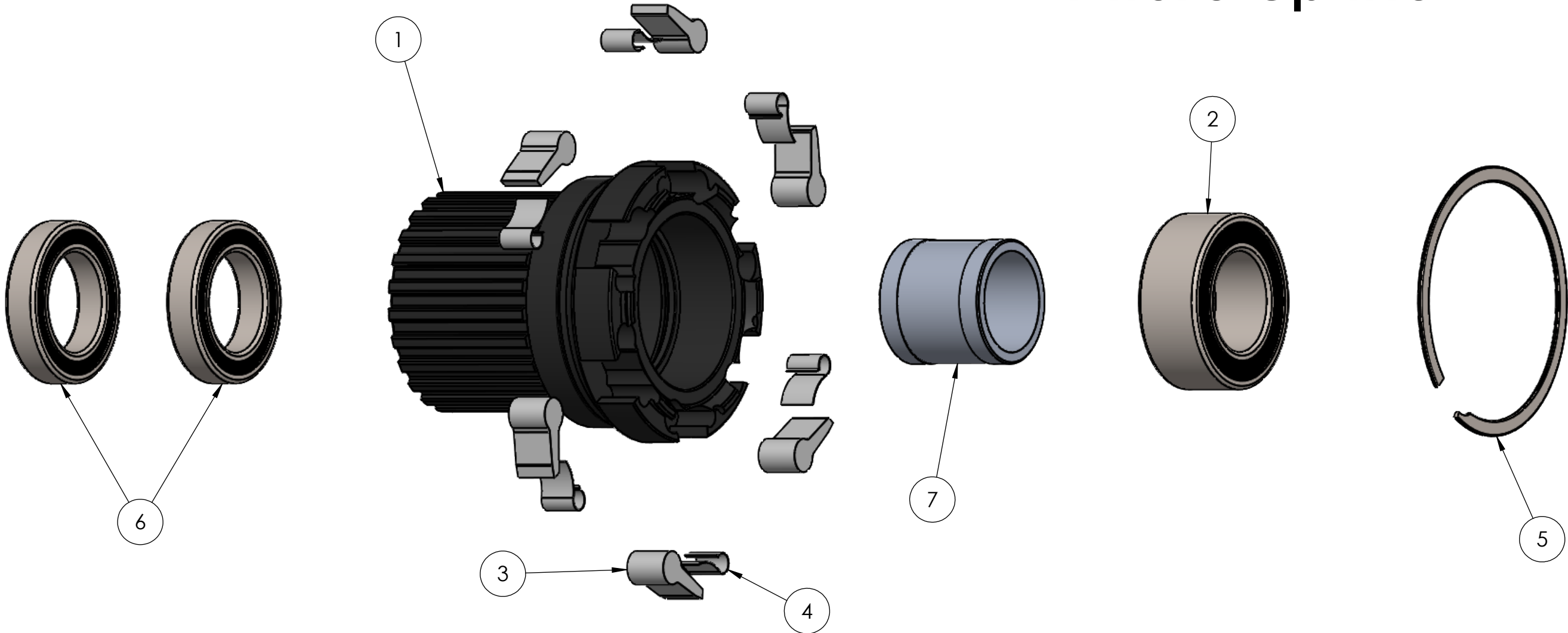


# 101 Mountain Freehub Micro Spline



ITEM NO.	PART NUMBER	DESCRIPTION	QTY.
1	OEFH1512	101 Freehub Body Micro Spline	1
2	BB152610	Ball Bearing 15 x 26 x 10 Double Row	1
3	OEFH1532	101 Pawl	6
4	HFH2533	Hydra/101 Pawl Spring	6
5	OEFH1131	Smalley Retaining Ring	1
6	BB6802A3	Ball Bearing, 15 x 24 x 5	2
7	HFH2517	Hydra/101 MTN Freehub Spacer Micro Spline	1

**PROPRIETARY AND CONFIDENTIAL**  
 THE INFORMATION CONTAINED IN THIS DRAWING IS THE SOLE PROPERTY OF INDUSTRYNINE COMPONENTRY. ANY REPRODUCTION IN PART OR AS A WHOLE WITHOUT THE WRITTEN PERMISSION OF INDUSTRYNINE COMPONENTRY IS PROHIBITED.

		UNLESS OTHERWISE SPECIFIED:	NAME	DATE	
		DIMENSIONS ARE IN INCHES TOLERANCES: FRACTIONAL: ± 1/32 ANGULAR: ± 0.5 deg TWO PLACE DECIMAL ±0.01 THREE PLACE DECIMAL ±0.005	DRAWN		
		INTERPRET GEOMETRIC TOLERANCING PER:	CHECKED		SIZE DWG. NO. REV
		MATERIAL	ENG APPR.		
NEXT ASSY	USED ON	FINISH	MFG APPR.		SCALE: 1:2 WEIGHT: SHEET 1 OF 1
APPLICATION		DO NOT SCALE DRAWING	Q.A.	COMMENTS:	