

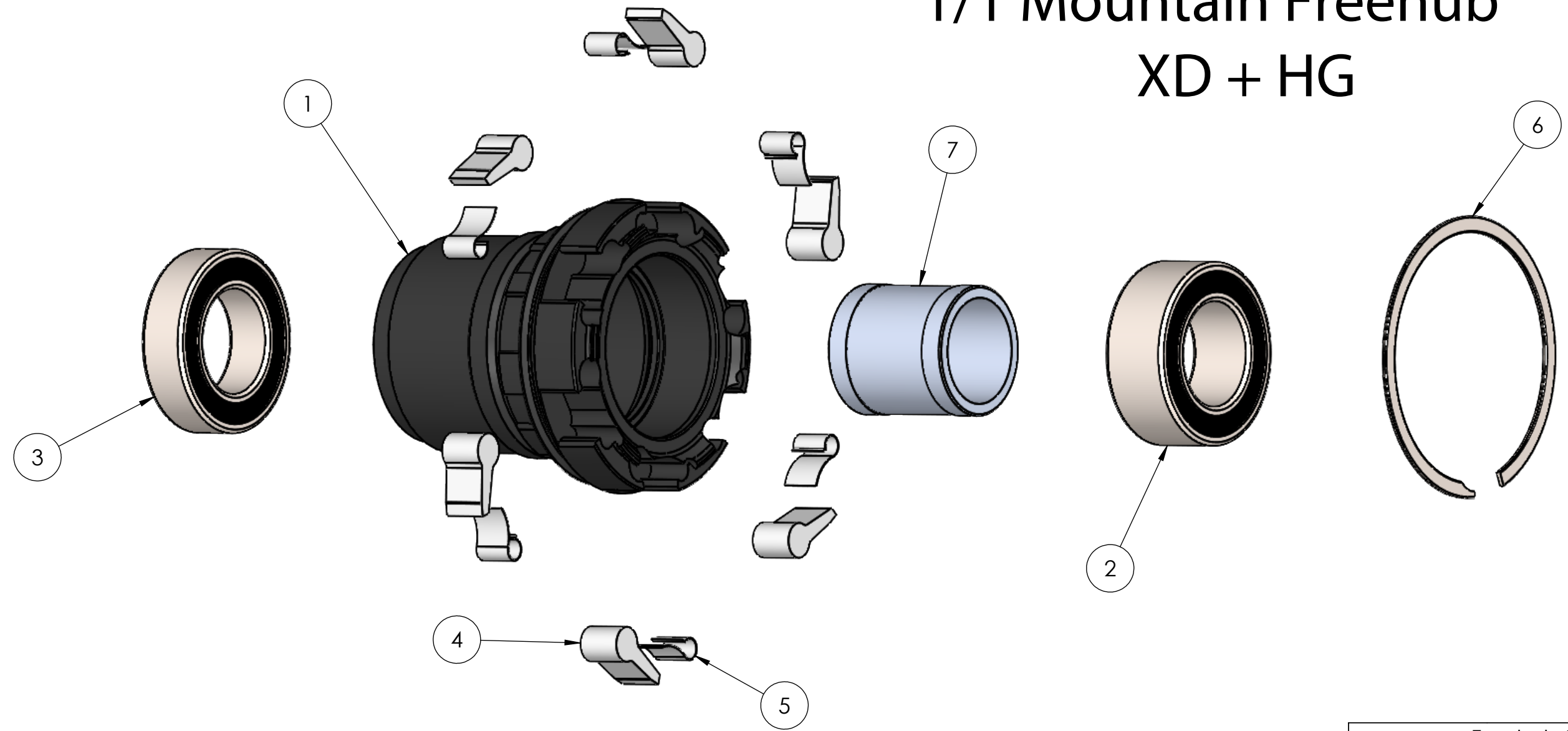
4

3

2

1

1/1 Mountain Freehub XD + HG



ITEM NO.	PART NUMBER	DESCRIPTION	QTY.
1	OEFH15XX	1/1 Free Hub Body - See Freehub Spec Table	1
2	BB152610	Ball Bearing 15 x 26 x 10 Double Row	1
3	BB15267A5	Ball Bearing 15 x 26 x 7	1
4	OEFH1532	1/1 Pawl	6
5	HFH2533	Hydra & 1/1 Pawl Spring	6
6	OEFH1131	Smalley Retaining Ring	1
7	HFH2516	Hydra & 1/1 MTN Cassette Spacer XD/HG	1

Freehub Spec	
P/N	Desc.
OEFH1513	MTN HG 6 Pawl
OEFH1515	MTN XD 6 Pawl

PROPRIETARY AND CONFIDENTIAL
 THE INFORMATION CONTAINED IN THIS DRAWING IS THE SOLE PROPERTY OF INDUSTRYNINE COMPONENTRY. ANY REPRODUCTION IN PART OR AS A WHOLE WITHOUT THE WRITTEN PERMISSION OF INDUSTRYNINE COMPONENTRY IS PROHIBITED.

UNLESS OTHERWISE SPECIFIED:		NAME	DATE	
DIMENSIONS ARE IN INCHES		DRAWN		
TOLERANCES:		CHECKED		
FRACTIONAL ± 1/32		ENG APPR.		
ANGULAR: ± 0.5 deg		MFG APPR.		TITLE:
TWO PLACE DECIMAL ±0.01		Q.A.		
THREE PLACE DECIMAL ±0.005		COMMENTS:		SIZE DWG. NO. REV
INTERPRET GEOMETRIC TOLERANCING PER:	MATERIAL			B
FINISH				SCALE: 1:2 WEIGHT: SHEET 1 OF 1
NEXT ASSY	USED ON			
APPLICATION		DO NOT SCALE DRAWING		

4

3

2

1

B

B

A

A